

## Unit Cooler: CCEH353L4-AP.CR.AL-BD.RB.CB

<b>Capacity calculated</b>	6.63 Kw	Refrigerant (1)	R404A
Capacity request	6.63 Kw	Evaporation temp. (Mean)	-25.0 °C
Margin	0.0 %	Superheating	0 K
Air Flow	6973 m3/h	Condensing temp.	40.0 °C
Air temperature IN / HR	-18.0 / 95 °C / %	Subcooler	0 K
Air temperature OUT / HR	-20.2 / 99 °C / %	Frost thickness	- mm
Altitude	0 m		

### Fan motor data (AC)

Fan number	3 N°	Total power	450 Watt
Diameter	350 mm	Total current	2.10 A
Voltage-Phase-Frequency	230 - 1 - 50/60 Volt/N°/Hz	Noise pressure level/Dist. (2)	51/10 dB(A)/mt
Operating percentage	100 %	Noise power level	82 dB(A)
Fan rotation speed / MAX	1380 rpm	Air throw (approximate) (3)	15 mt
Power x 1 Fan / MAX	150 Watt	Available static pressure	- Pa
Current x 1 Fan (4) / MAX	0.70 A	Energy efficiency class	A

### Technical data

Casing	Aluminium Prepainted	Tube material	Cross-fin Copper
Surface	29 m2	Fins material	Aluminium
Volume	7 dm3	Headers dimensions In	22 (8) mm
Fin spacing	8.0 mm	Headers dimensions Out	28 (8) mm
Net weight / Gross weight (5)	82/128 Kg	Packaging dimensions	730/2330/H700 mm
Max. operating pressure	30 bar	PED classification (6)	Art.4, Par.3

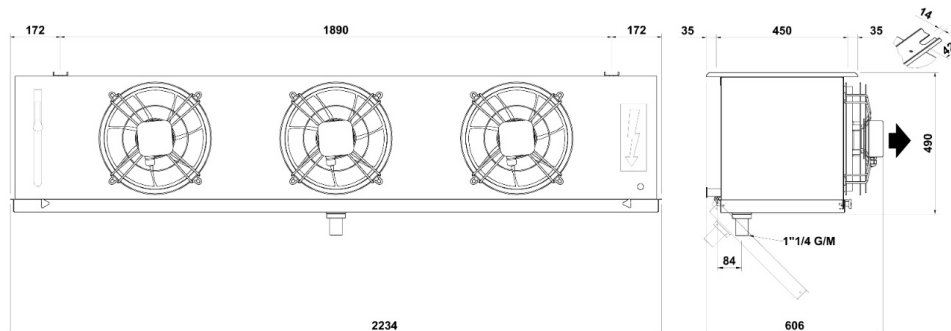
### Option

**RB;** Fan ring heater (0.9 kW)

**BD;** Insulated double drip tray

**CB;** Wiring on terminal box

### Dimensional Drawing



1) Fluid group according to pressure equipment directive 2014/68/EU

2) According to the enveloping surface method defined in EN 13487; tolerance = +2 dB(A).

3) Distance at which an air velocity of 0,25 m/s can still be measured isothermally in an ideal space. The achievable penetration depth of their flow in the cold room depends on the spatial geometry and other factors.

4) The current consumption can differ in dependence of the air temperature and of the variations of system voltage according to the VDE guidance.

5) Dimensions and weights are not valid for all possible options! They may differ for units with accessories or special units.

6) Final classification according to pressure equipment directive 2014/68/EU during order processing.

7) Safety regarding refrigerants use is regulated by EN378 and EN60335-2 standards and by safety data sheet of the fluid used. A2L flammable gases require a risk assessment by user, taking into account the characteristics of the system.

8) When ordering, it is necessary to indicate use of flammable refrigerants. The company reserves the right to modify the product and/or validate the order.