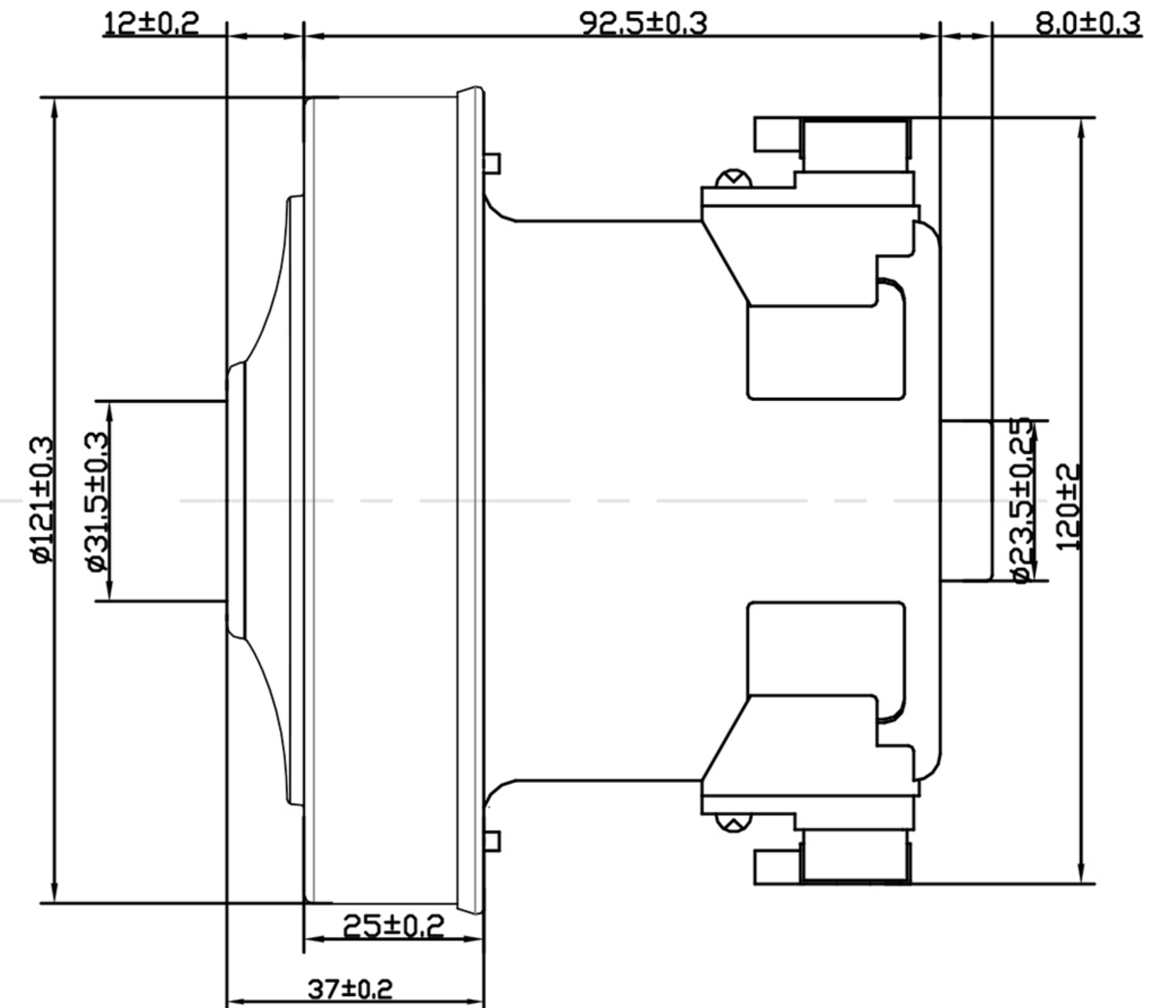
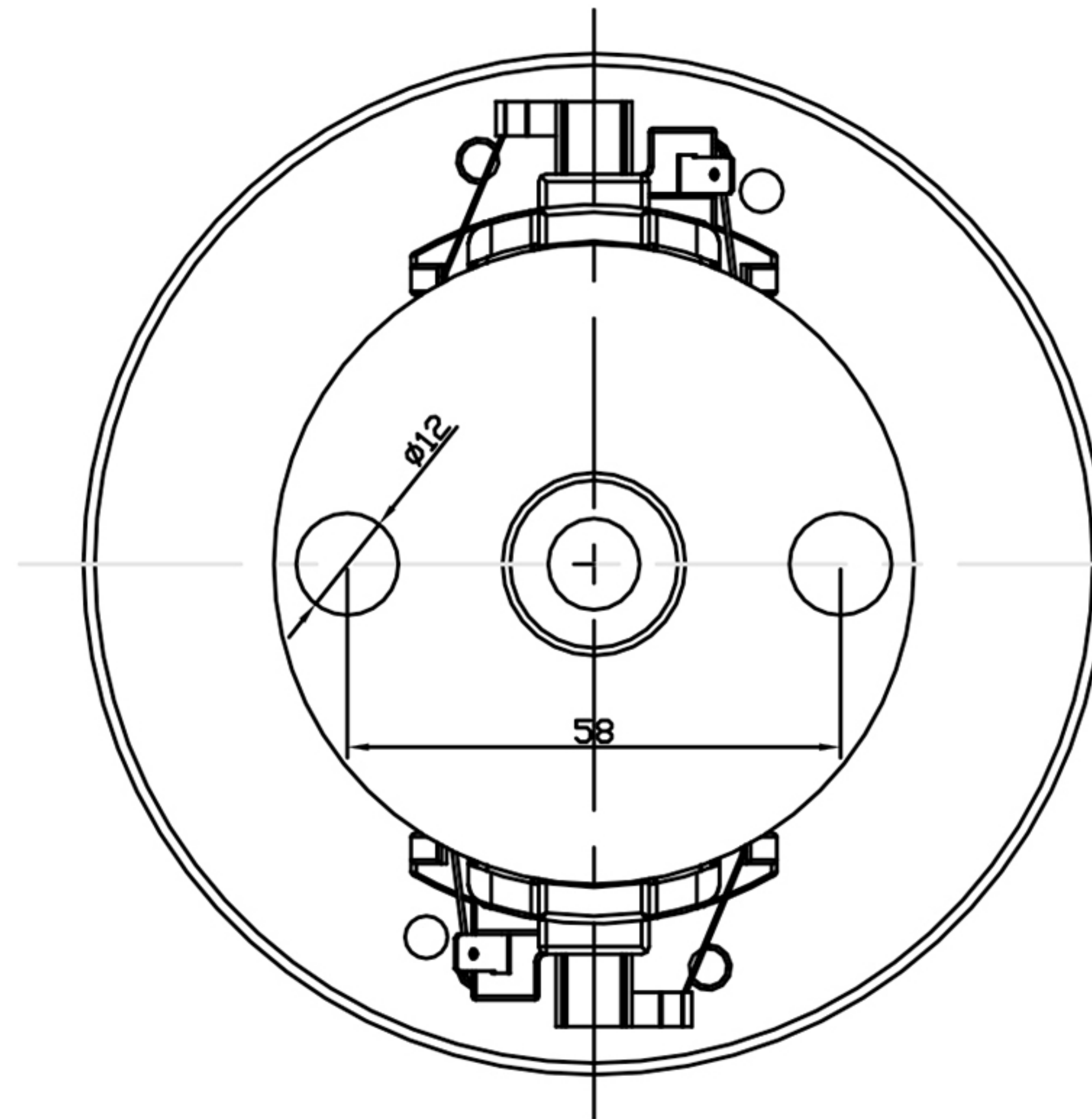


HWX-CG47-1

Rated Voltage	(V) 230	
Rated Frequency	(Hz) 50/60	
Rated Input Power	(W) 1200±8%	1400±8%
Max Vacuum Degree	(KPa) ≥24	≥26
Max Airflow	(m ³ /min) ≥2.8	≥3.0
Max Suction Power	(W) ≥380	≥440
Max Efficiency	(%) ≥46	≥44
Temperature Rise	(K) ≤115	≤115
Vibration	(mm/S) ≤15	≤15
Noise	(dB) ≤96	≤98
Life	(H) ≥500	
Spark	≤2	
Hi-POT	1.8KV 10mA 1s	
Class	F	



1.0					DIMENSIONAL TOLERANCE		DESIGNED BY		MATERIAL	PART NAME		HWX-CG47-1
					DIM	GRADE	CHECKED BY		QUANTITY	1	TYPE	
					0~6	0.10	APPROVED BY		WEIGHT		PART NO.	01
					6~30	0.20			SCALE	1/1	DRW NO.	
					30~120	0.30						
				120~	0.50							
ITEM NO.	DESCRIPTION	DRAWN BY	DATE	ANGULAR	0.10	UNIT	MM					

